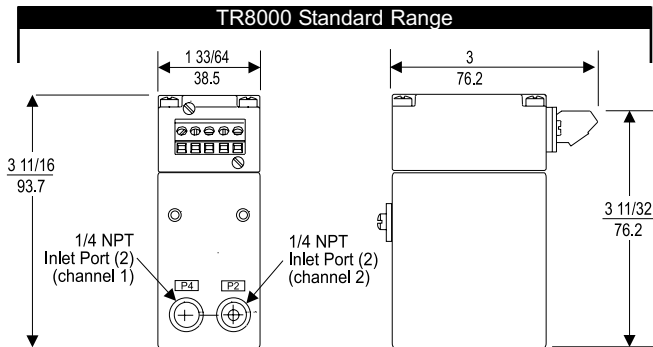
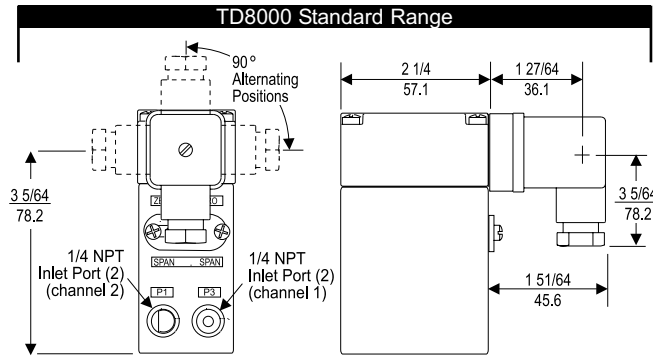
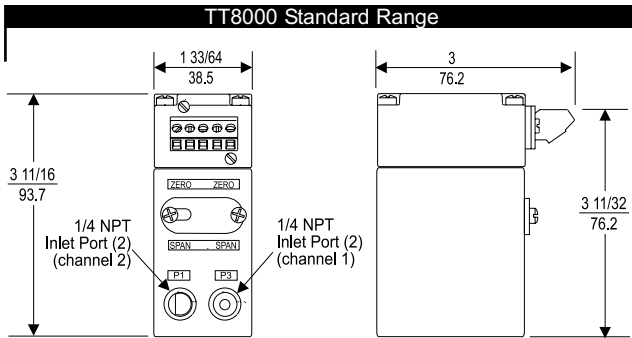
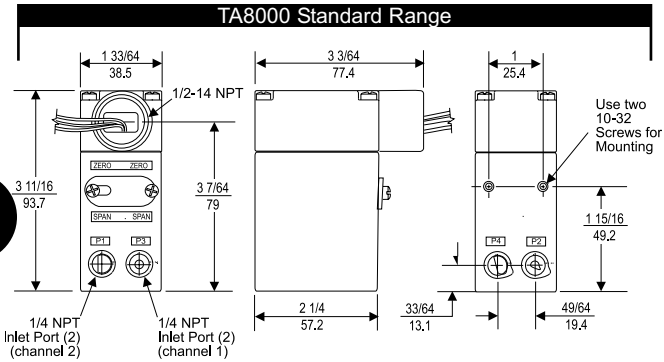


Model T8000 Miniature Two Wire P/I Pressure Transducer

B
Model
T8000



NOTE: Model TR8000 Transducer is designed for use with the TR Rack Kit. Physically, it is the same as the TT8000 Unit except that the terminal block has been rotated to the rear.

Specifications: T8000 Standard Range Transducers

	psig, [BAR], (kPa)						
Pneumatic Input Range	0-5 [0-0.3] (0-35)	3-15 [0.2-1.0] (20-100)	3-27 [0.2-1.8] (20-180)	6-30 [0.4-2.0] (40-200)	0-30 [0-2.0] (0-200)	0-60 [0-4.0] (0-400)	1-120 [0-8.0] (0-800)

Current Output 4-20 mA or 10-50 mA

Supply Voltage 12-50 VDC for 4-20 mA
12-30 VDC for 10-50 mA

Minimum Output Span	4 [0.28] (28)	12 [0.8] (80)	23 [1.45] (145)	23 [1.45] (145)	23 [1.45] (145)	38 [2.6] (260)	75 [5.0] (500)
Maximum Output Span	10 [0.7] (70)	30 [2.0] (200)	60 [4.0] (400)	60 [4.0] (400)	60 [4.0] (400)	100 [7.0] (700)	200 [14.0] (1400)

Independent Linearity
+0.15% Full Scale

Hysteresis & Repeatability
Less than 0.1% Full Scale

Resolution
Infinite

Environmental
Operating Temperature: -40°F to 176°F (-40°C to 80°C)
Humidity: 95 % Relative Humidity

Load - Maximum
1900 OHMS @ 20 mA
360 OHMS @ 50 mA

Stability
Compensated Range: 32°F to 122°F (0°C to 50°C)
Temperature Compensation:
Zero ±1% FS - 32°F to 122°F (0°C to 50°C)
Span ±.5% FS- 32°F to 122°F (0°C to 50°C)
Drift Less than .25% FS/30 Days

Electrical
Calibration:
Zero -66 to 125% Full Scale
Span -25 to 200%
Response time Output less than 10 m-seconds from 10 to 90% input

Reverse Polarity Protected:
Output Ripple Less than 5mV peak to peak
Damping 7 seconds 10% to 90% FS jumper selectable

Mechanical
Damage Pressure: 3 times rated input or 200 psig, [15 BAR], (1500 kPa) whichever is less. 20 psig, [1.5 BAR], (150 kPa) for 5 psig, [.35 BAR], (35 kPa) range.

Recalibration Pressure: 2 times rated input
Vibration: No effect 10-200 Hz@ 2-10 G_s



RFI/EMI Effect
Less than 0.1% of Span @ 10 V/m class 2 Band ABC (20-1000 mHz) per SAMA PMC 33.1 1978 and less than 0.5% of Span @ 10 V/m level 3, 27-500 mHz band per IEC Standard 801-3 1984 (wire in conduit). EMC Directive 89/336 EEC European Norms EN 50081-2 & EN 50082-2.

Materials of Construction

Body and Housing Aluminum
Trim Stainless Steel, Brass, Zinc Plated Steel
Wetted Materials Aluminum, Glass, Ceramic, Delrin, Nitrile, Silicone, RTV, Nickel
Material Compatibility Liquids and gases compatible with wetted materials

Model T8000 Miniature Two Wire P/I Pressure Transducer

Hazardous Area Classifications

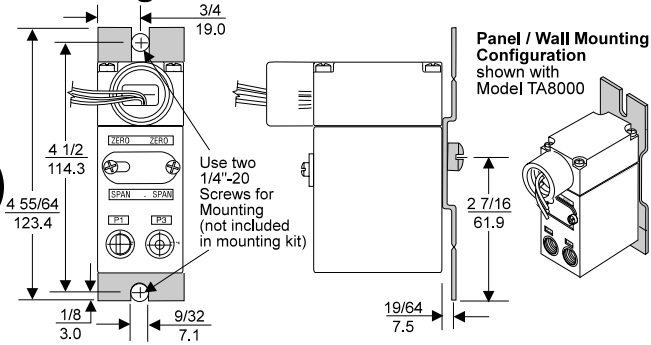
	Explosion-Proof	Intrinsically Safe										
Factory Mutual (FM) Approvals 	Class I, Division 1, Groups B, C and D; Class II, Division 1, Groups E, F and G; NEMA 4X Enclosure.	TAFI8001, TFXI8001 Class I Division 1, Groups A, B, C, and D; Class II, Division 1, Groups E, F and G; Class III, Division 1; NEMA 4X Enclosure;										
	Non-Incendive	Temperature Code T5.										
	TAFI8001 Class I, Division 2, Groups A, B, C and D; NEMA 4X Enclosure.	TDFI8001, TTFI8001, TRFI8001 Class I Division 1, Groups A, B, C, and D. Class II, Division 1, Groups E, F, and G. Class III, Division 1; Temperature Code T5.										
TDFI8001, TTFI8001, TRFI8001 Class I, Division 2, Groups A, B, C, and D.	<table border="1"> <thead> <tr> <th colspan="2">Entity Parameters</th> </tr> </thead> <tbody> <tr> <td>$V_{max}^1 = 30 \text{ VDC}$</td> <td>$C_i^3 = 0.0132 \mu \text{ F}$</td> </tr> <tr> <td>$I_{max}^2 = 100 \text{ mA}$</td> <td>$L_i^4 = 0 \text{ mH}$</td> </tr> <tr> <td>¹$V_{max} = \text{Max. Voltage}$</td> <td>³$C_i = \text{Capacitance}$</td> </tr> <tr> <td>²$I_{max} = \text{Max. Current}$</td> <td>⁴$L_i = \text{Inductance}$</td> </tr> </tbody> </table>		Entity Parameters		$V_{max}^1 = 30 \text{ VDC}$	$C_i^3 = 0.0132 \mu \text{ F}$	$I_{max}^2 = 100 \text{ mA}$	$L_i^4 = 0 \text{ mH}$	¹ $V_{max} = \text{Max. Voltage}$	³ $C_i = \text{Capacitance}$	² $I_{max} = \text{Max. Current}$	⁴ $L_i = \text{Inductance}$
Entity Parameters												
$V_{max}^1 = 30 \text{ VDC}$	$C_i^3 = 0.0132 \mu \text{ F}$											
$I_{max}^2 = 100 \text{ mA}$	$L_i^4 = 0 \text{ mH}$											
¹ $V_{max} = \text{Max. Voltage}$	³ $C_i = \text{Capacitance}$											
² $I_{max} = \text{Max. Current}$	⁴ $L_i = \text{Inductance}$											
Canadian Standards Association (CSA) Approvals 	Explosion-Proof Class I, Division 1, Groups B, C, and D; Class II, Division 1, Groups E, F, and G; Type 4 Enclosure; Rated 4-20 mA or 10-50 mA, 30 VDC Max. Maximum Ambient 65°C.	Intrinsically Safe TACI8001, TCXI8001 Class I, Division 1, Groups A, B, C and D; Class II, Division 1, Groups E, F, and G; Type 4 Enclosure; Rated 4-20 mA, 30 VDC Maximum; Temperature Code T4.										
	Division 2	TDCI8001, TTCI8001, TRCI8001 Class I, Division 1, Groups A, B, C and D; Rated 4-20 mA, 30 VDC Maximum; Temperature Code T5.										
	TACI8001 Class I, Division 2, Groups A, B, C, and D; Class II, Division 2, Groups E, F, and G; Type 4 Enclosure; Rated 4-20 mA, 30 VDC Max.; Temperature Code T3 C.	TDCI8001, TTCI8001, TRCI8001 Class I, Division 2, Groups A, B, C and D; Rated 4-20 mA, 30 VDC Maximum; Temperature Code T3 C.										
		<table border="1"> <thead> <tr> <th colspan="2">Approvals are valid when connected through a Shunt Zener Diode Safety Barrier meeting the following parametric requirements:</th> </tr> </thead> <tbody> <tr> <td>System Type 1 and 4:</td> <td>Single Channel Polarized Rated: 28V Max. 300 Ohm Min.</td> </tr> <tr> <td>System Type 2 and 5:</td> <td>Dual Channel Polarized Rated 28V Max. 300 Ohm Min. & 28V Diode return per channel.</td> </tr> <tr> <td>System Type 3</td> <td>a. 28V Max. 300 Ohm Min. & 10V Max. 50 Ohm Min. return. b. 28.5V Max. 300 Ohm Min. & 9V Max. 50 Ohm Min. return. & 10V Max. 50 Ohm Min. return.</td> </tr> </tbody> </table>	Approvals are valid when connected through a Shunt Zener Diode Safety Barrier meeting the following parametric requirements:		System Type 1 and 4:	Single Channel Polarized Rated: 28V Max. 300 Ohm Min.	System Type 2 and 5:	Dual Channel Polarized Rated 28V Max. 300 Ohm Min. & 28V Diode return per channel.	System Type 3	a. 28V Max. 300 Ohm Min. & 10V Max. 50 Ohm Min. return. b. 28.5V Max. 300 Ohm Min. & 9V Max. 50 Ohm Min. return. & 10V Max. 50 Ohm Min. return.		
Approvals are valid when connected through a Shunt Zener Diode Safety Barrier meeting the following parametric requirements:												
System Type 1 and 4:	Single Channel Polarized Rated: 28V Max. 300 Ohm Min.											
System Type 2 and 5:	Dual Channel Polarized Rated 28V Max. 300 Ohm Min. & 28V Diode return per channel.											
System Type 3	a. 28V Max. 300 Ohm Min. & 10V Max. 50 Ohm Min. return. b. 28.5V Max. 300 Ohm Min. & 9V Max. 50 Ohm Min. return. & 10V Max. 50 Ohm Min. return.											

B
Model T8000

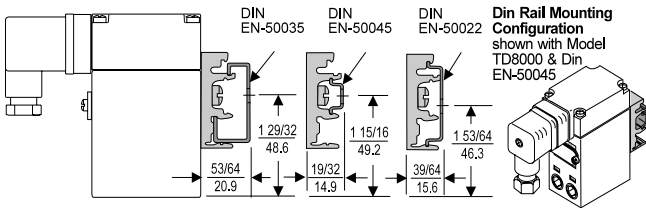


Model T8000 Miniature Two Wire P/I Pressure Transducer

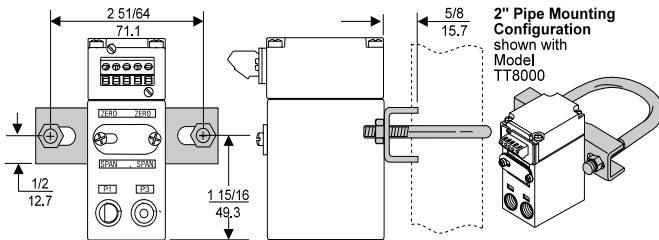
Mounting Kits



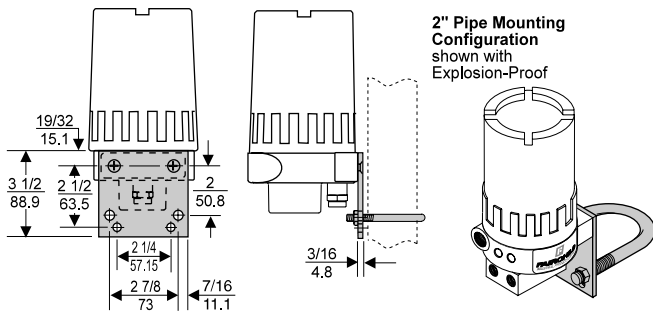
Mounting Bracket: 16799-1



Mounting Bracket: 16893-1



Mounting Bracket: 19254-1



Mounting Bracket: 18187-1

Model T8000 Transducer Kits & Accessories

- Mounting Bracket Kits 16799-1 (included with unit)
 16893-1 (included with unit)
 19254-1 (sold separately)
 18187-1 (sold separately)

Ihr Ansprechpartner für
 Beratung, Verkauf, Service



Kundert Ingenieure AG
 Ifangstrasse 6, CH – 8952 Schlieren
 Tel. +41 44 755 42 42, Fax +41 44 755 42 43
 www.kundert-ing.ch automation@kundert-ing.ch

Catalog Information

Catalog Number T 8 0 0 1

Electrical Connections

- 1/2 NPT Conduit A
 Fitting with Pigtail
 DIN43650 Connection D
 Rack Mount R
 Terminal Block T
 (leave blank for
 Explosion-Proof)

Underwriting Group

- Canadian Standards C
 Factory Mutual F

Approval Class ¹

- Explosion-Proof X
 NEMA 4X (IP65)
 Intrinsically Safe ² I

Pneumatic Input Channel 1

(Select appropriate psig, [BAR], or (kPa) range.)

- 0-5 psig 00
 3-15 psig 01
 3-27 psig 02
 6-30 psig 03
 0-30 psig 04
 0-60 psig 05
 0-120 psig 06

 [0-0.35 BAR] 10
 [0.2-1.0 BAR] 11
 [0.2-1.8 BAR] 12
 [0.4-2.0 BAR] 13
 [0-2.0 BAR] 14
 [0-4.0 BAR] 15
 [0-8.0 BAR] 16

 (0-35 kPa) 20
 (20-100 kPa) 21
 (20-180 kPa) 22
 (40-200 kPa) 23
 (0-200 kPa) 24
 (0-400 kPa) 25
 (0-800 kPa) 26

Current Output Channel 1

- 4-20 mA 1
 10-50 mA 2

If Channel 2 Not Used 00

If Channel 2 is used, select appropriate psig, [BAR], or (kPa) range from Input Channel 1 above.

Current Output Channel 2

- 4-20 mA 1
 10-50 mA 2

Options

- BSPT Thread U

¹ Select Approval(s) Required.

² Includes Division 2 Approval.